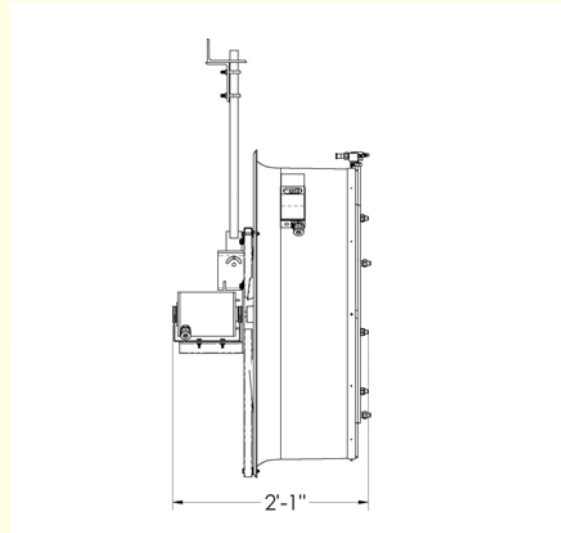
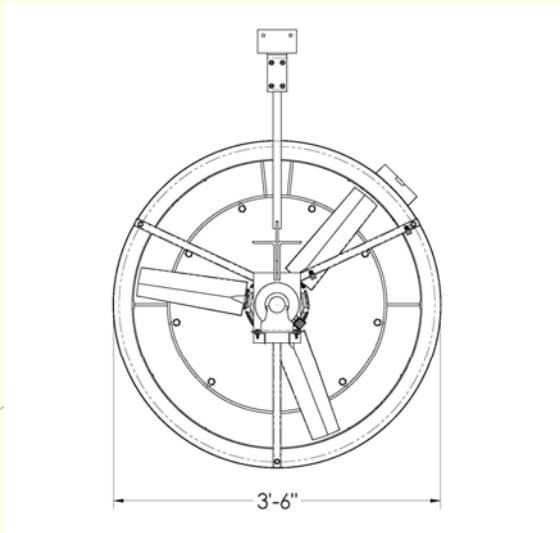


Increased milk production, increased reproduction, decreased cull rate  
better body condition, increased profits



# Kk3.5 cooler

## Features/Benefits

- Quality replacement for traditional style fans.
- No-rust No-dent composite shell
- Stainless steel nozzle tip feedline
- 0.275 — .612 pm of water
- 11,000 cfm air output
- Uses your existing box/cage fan mount
- Efficient Baldor 1/2 hp motor
- Great for adding that little extra cooling

## Description

- Kk3.5 cooler
- 42 in wide x 48 in tall x 25 in deep 1.07 m wide x 1.22 m tall x 0.64 m deep
- 58 lbs 26.4 kg

## Options

- Multiple water injection options
- New install or as replacement fans
- Single or three phase
- Steel or composite fan blade

